

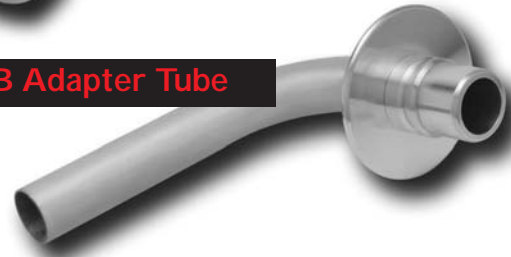
WIGGINS Accessories

Nozzle Adapters for the ZZ9A1



Straight ZN6A Adapter Tube

90° ZN6B Adapter Tube



Bulk Fuel Coupling

ZS5 Nozzle (Mates w/ZN2A)

The ZS5 Bulk Transfer Nozzle is designed to mate with the ZN2 receiver. It can be used to drain a fuel tank for servicing, or to transfer fuel from one tank to another. The end fitting is the same 2-inch NPT female fitting as the ZZ9A1.



WIGGINS Service Systems *Product Catalog*



NOZZLES



RECEIVERS



VENTS



COUPLINGS



ACCESSORIES



For more information on the fast fuel systems, and authorized Wiggins Service System Distributors, or to see what is new, please log onto our web-site www.adelwiggins.com

Wiggins Service Systems
5000 Triggs Street, Los Angeles, CA 90022
323.269.9181 ■ Fax: 323.269.3759
www.adelwiggins.com

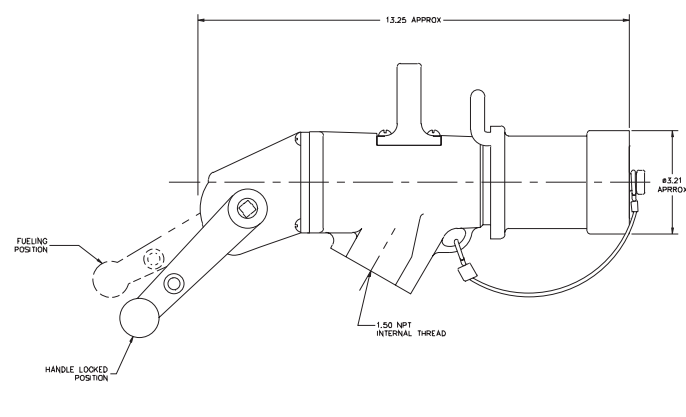
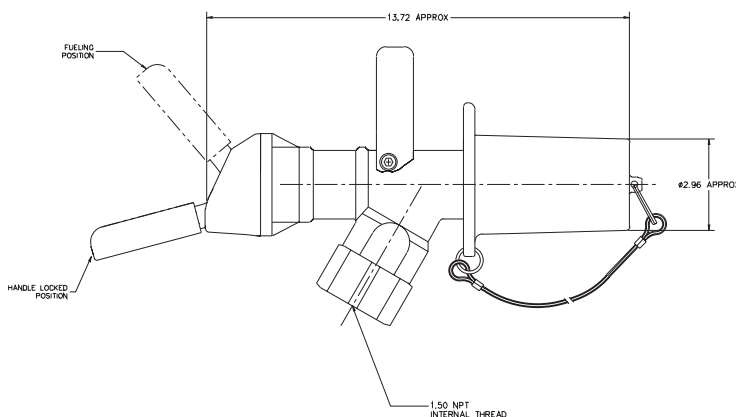
WIGGINS Fuel Nozzles



ZZ9A1



ZZF150



KR91
Actuating
Assembly
Replacement
Kit

KR93
Housing Handle
Replacement
Kit

KR92
Latching
Mechanism
Replacement
Kit

K150-2

K150-1

K150-3

ZZ9A1 - Data Table

Flow Rate (gpm)	Pressure Drop	Operating Pressure	Weight (lbs)
25	1.0 psi	1.25 psig max.	5.75
60	4.0 psi	1.25 psig max.	5.75
100	9.0 psi	1.25 psig max.	5.75
125	14.0 psi	1.25 psig max.	5.75
150	24.0 psi	1.25 psig max.	5.75

ZZF150 - Data Table

Flow Rate (gpm)	Pressure Drop	Operating Pressure	Weight (lbs)
25	2.0 psi	1.25 psig max.	7.9
60	4.0 psi	1.25 psig max.	7.9
100	9.0 psi	1.25 psig max.	7.9
125	14.0 psi	1.25 psig max.	7.9
150	21.0 psi	1.25 psig max.	7.9

WIGGINS Service Couplings

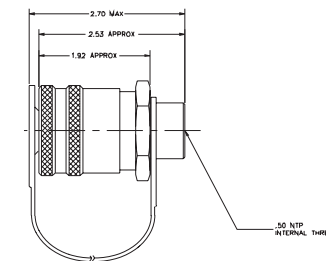
R Series / Nozzles and receivers supplied separately



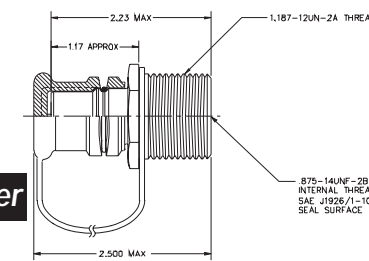
Coolant



R11 Nozzle



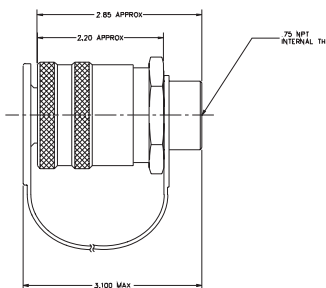
R12 Receiver



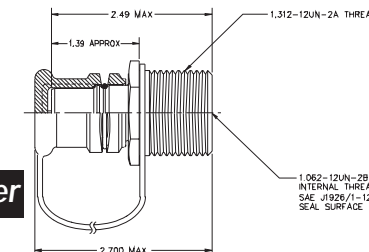
Transmission



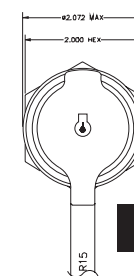
R13 Nozzle



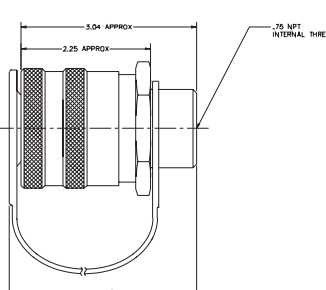
R14 Receiver



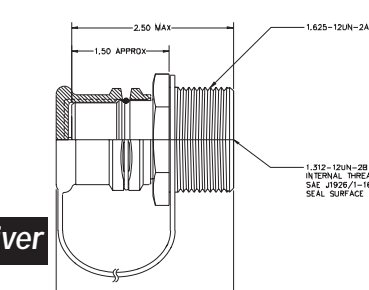
Oil



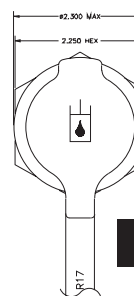
R15 Nozzle



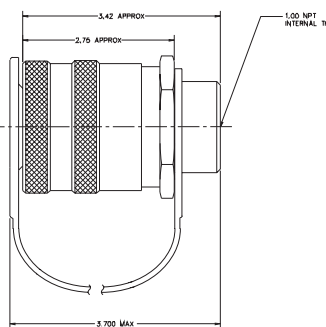
R16 Receiver



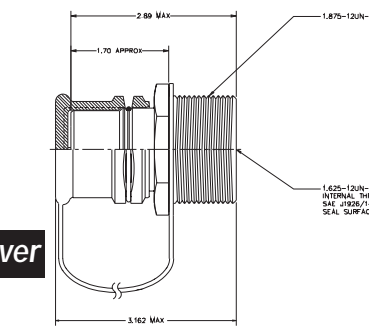
Hydraulic



R17 Nozzle



R18 Receiver



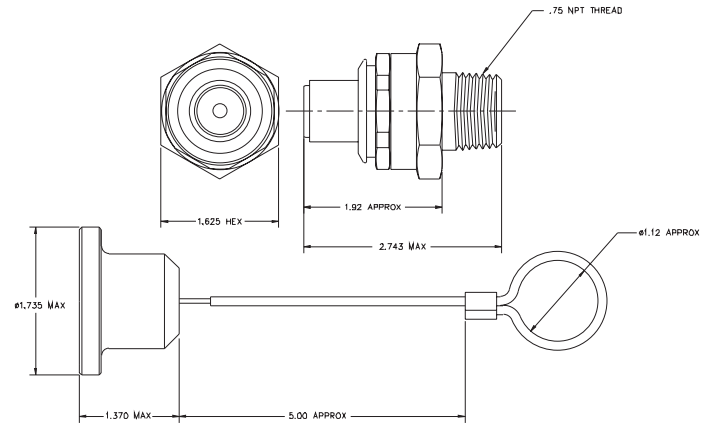
R Series / Lanyard and Cap supplied with receiver.

Replacement Chart for Lanyards and Caps

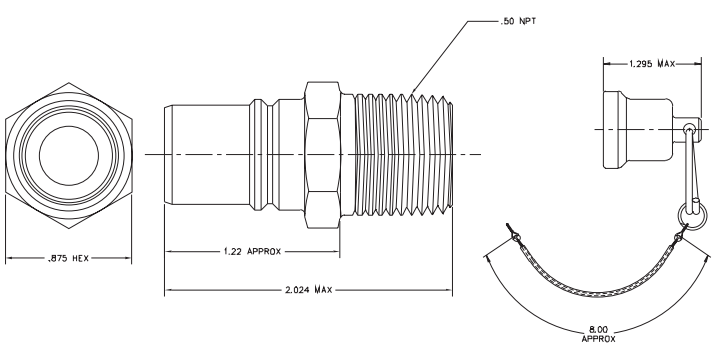
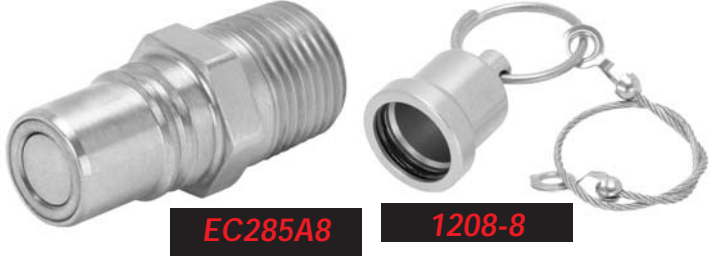
R11	R1107 / R12	R1205
R13	R1307 / R14	R1405
R15	R1507 / R16	R1605
R17	R1707 / R18	R1805

WIGGINS Service Couplings

Hydraulic Receiver and Cap



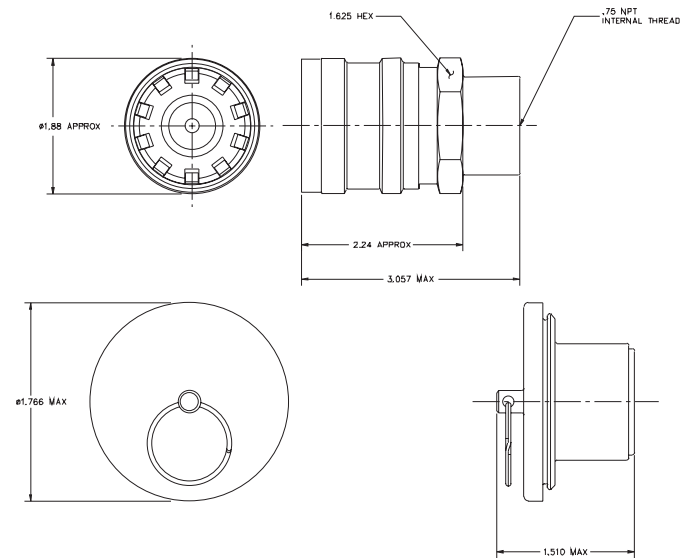
Coolant Receiver and Cap



Hydraulic Nozzle and Plug



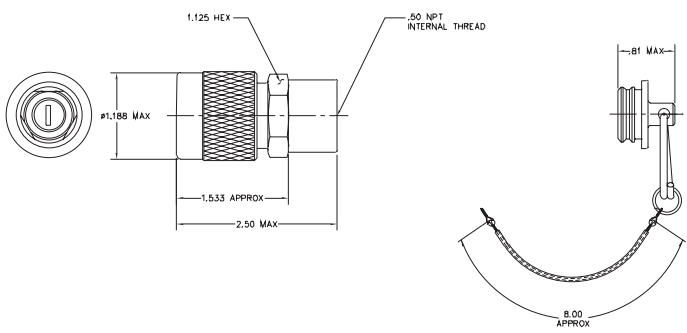
Mates with 6005A12 Receiver



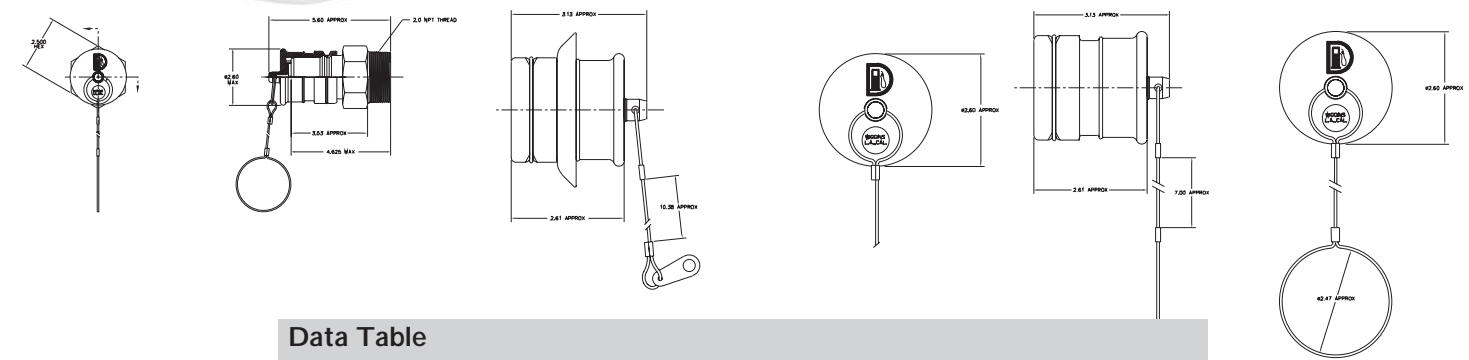
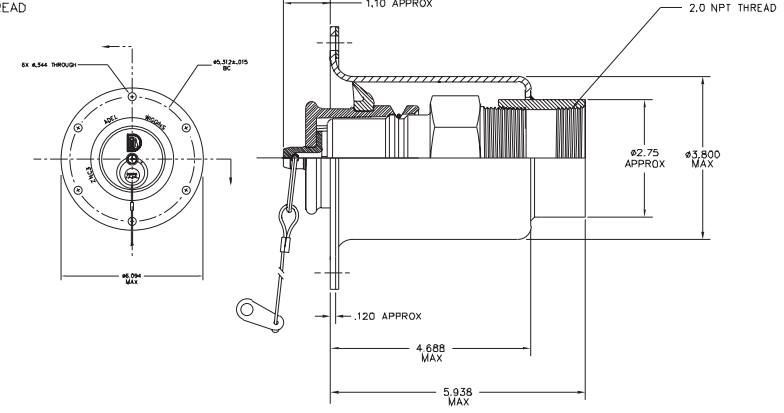
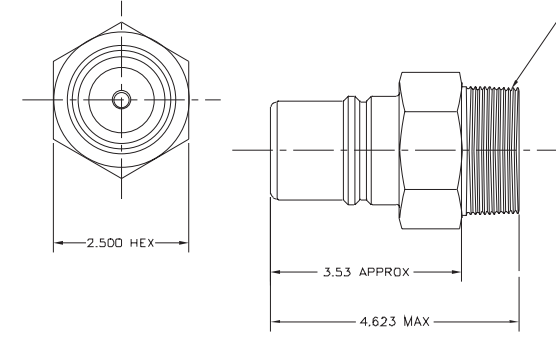
Coolant Nozzle and Plug



Mates with EC285A8 Receiver



WIGGINS Fuel Receivers



Receiver	Application	Poppet Color
ZN2A	Standard for most applications and mountings	Clear
ZN2B	Light spring compensates for head pressure	Blue
ZN2D	Heavy spring to avoid premature shut-off	Red
ZN2AC	Stainless-Steel version of ZN2A	Clear
ZNC2A	Same as ZN2 with cap	
ZNC3	Bolt on version	
ZNC4	Weld on version	
JNC2A	Remote receiver for JN125	Grey

WIGGINS Fuel Tank Vents

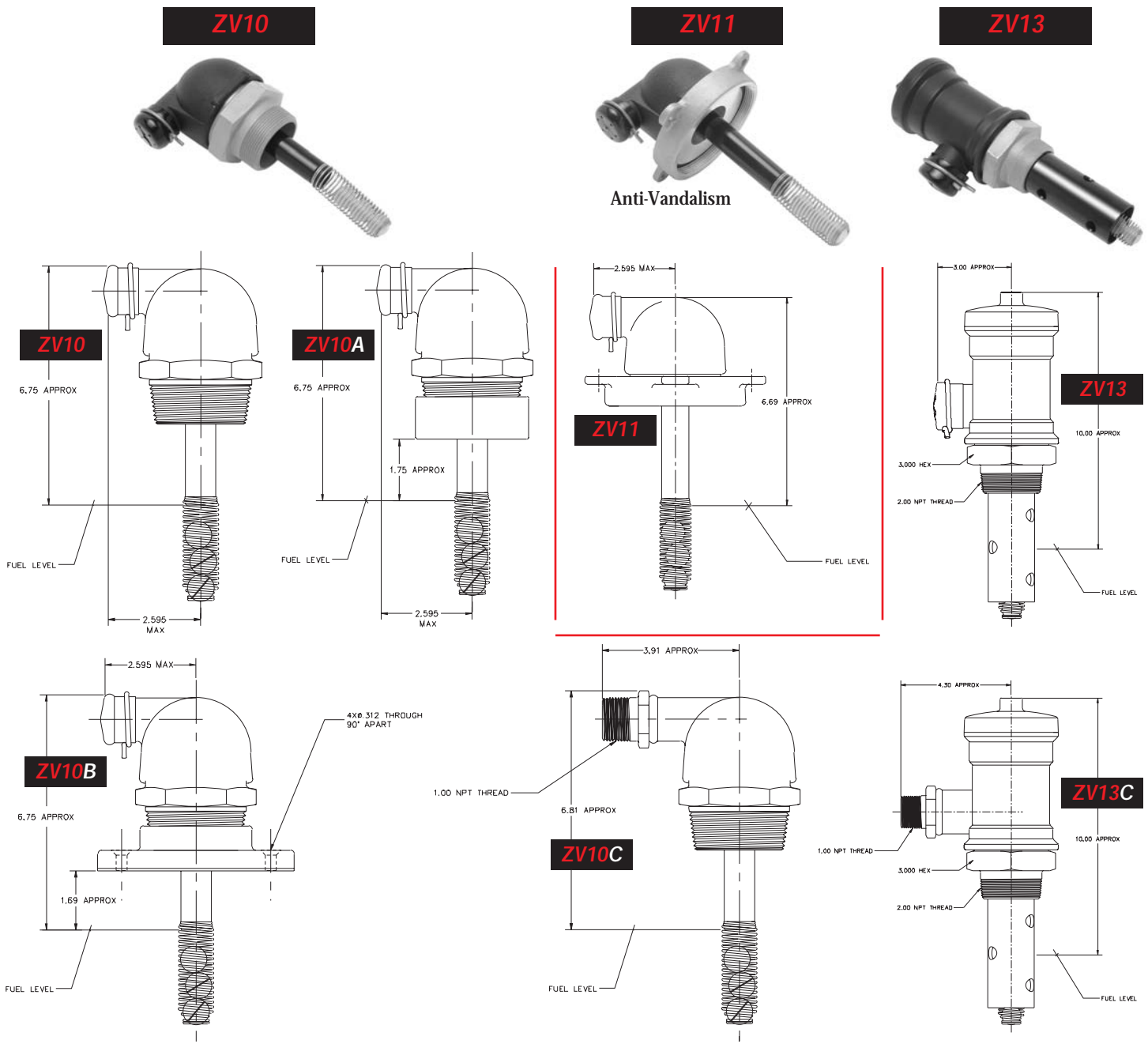
WIGGINS Service Couplings

Service Couplings

Change and fill crankcase oil, fill hydraulic reservoirs, top-off

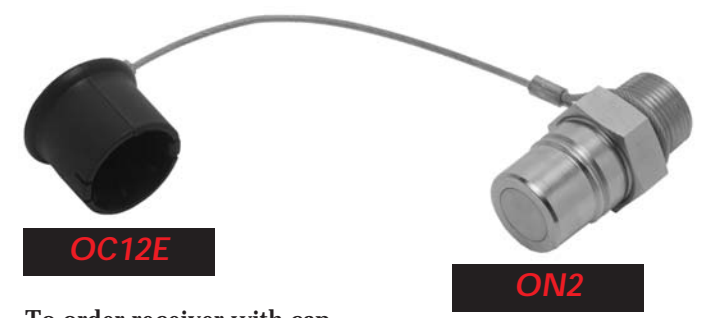
transmission fluid, fill the radiator - Wiggins offers a coupling to serve every fluid on your vehicle. Couplings

can be mounted directly to equipment system, or at a remote location or central service box - reduces injuries by keeping workers off the machine.

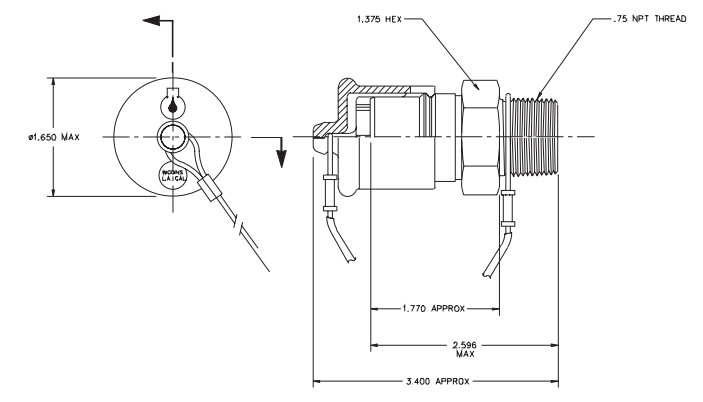


Data Table				
Vent Model	Mounting Style	Length	Pressure Relief	Rebuild Kit Number
ZV10	Pipe Thread	9.375"	10.2 - 12.9 psi	K30285
ZV10A	Welded Half-Coupling	9.375"	10.2 - 12.9 psi	K30285
ZV10B	Flange/Gasket	9.375"	10.2 - 12.9 psi	K30285
ZV10C	Same as ZV10 w/Threaded Outlet	9.500"	10.2 - 12.9 psi	K30285
ZV10F	Same as ZV10 w/Long Stem	12.50"	10.2 - 12.9 psi	K30285
ZV11	Gas Cap Mount	9.312"	10.2 - 12.9 psi	K30285
ZV11A	Gas Cap Mount w/Long Stem	12.50"	10.2 - 12.9 psi	K30285
ZV13	Vented Pipe Thread	12.00"	10.4 - 11.3 psi	N/A
ZV13F	Long Stem	14.70"	10.4 - 11.3 psi	N/A

Crankcase Receiver and Cap



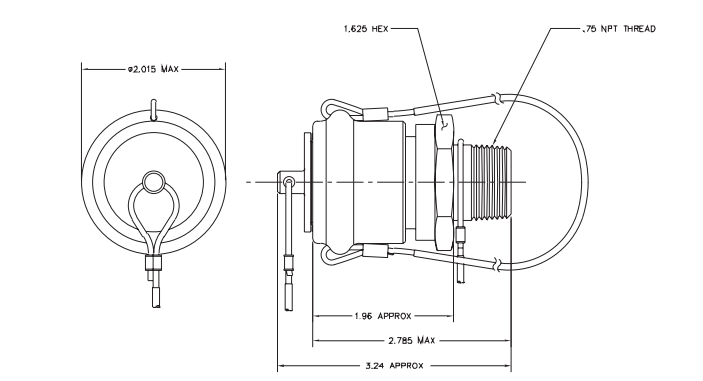
To order receiver with cap, specify ONC2A



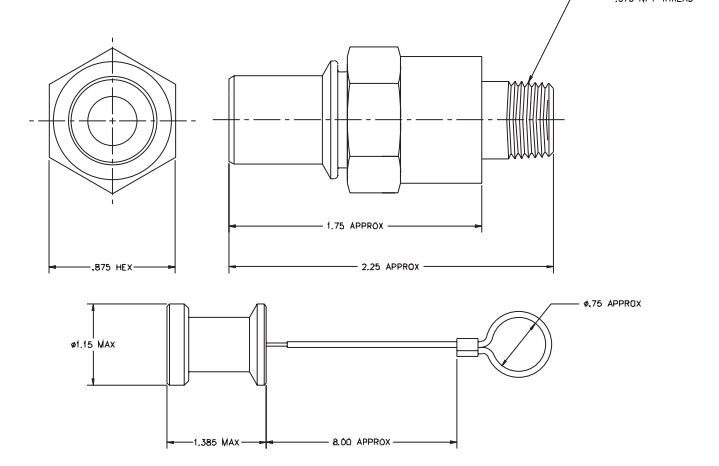
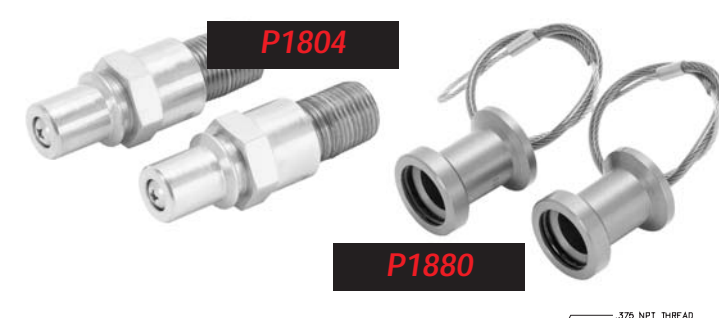
Crankcase Nozzle and Plug



To order nozzle with plug (OP12), specify OSP2
Mates with ON2 and ONC2A Receivers



Transmission Receiver and Cap



Transmission Nozzle and Plug

